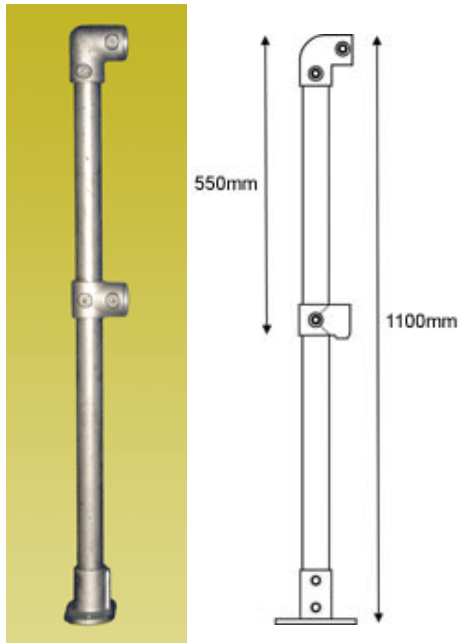


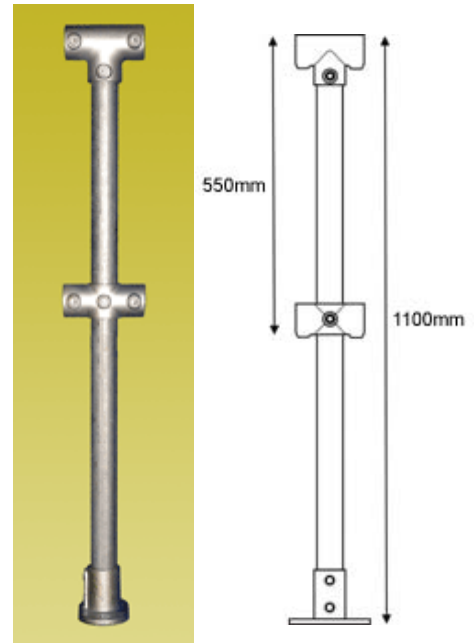
# Alvin Key Clamps Railing Kits

To simplify the process of specifying railing components, we have developed a modular railing ordering system. Available in the standard size 8 fittings (48.3mm O/D tube) these convenient kits enable quick and simple construction of most handrail installations. The posts are spaced apart by a pair of tube creating 1500mm centres between each upright.

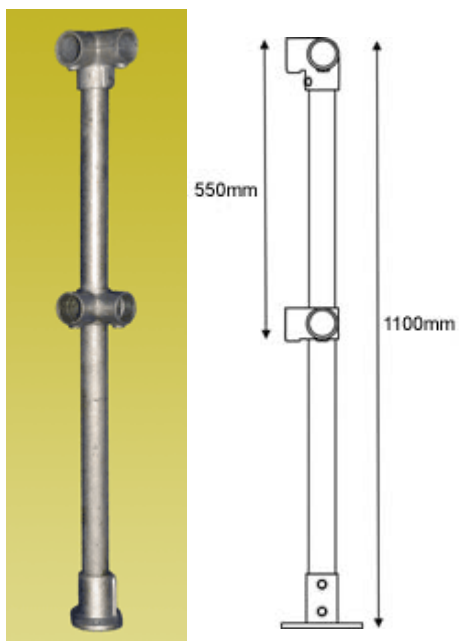
Railing End Section



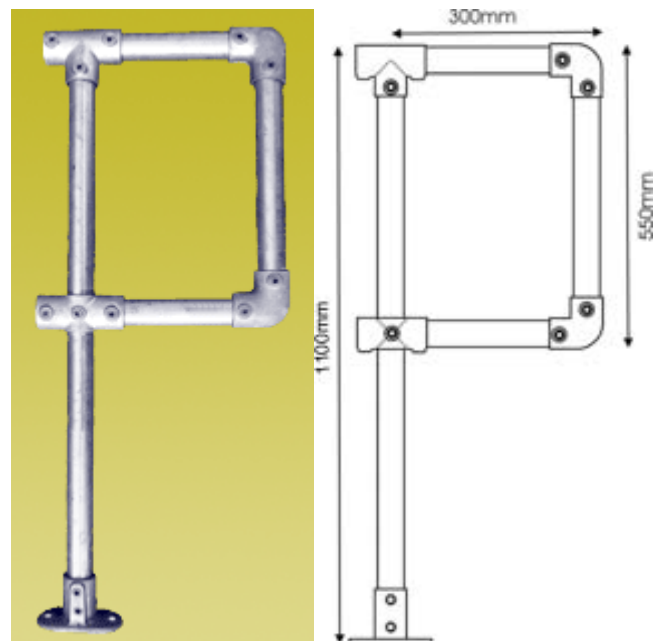
Railing Mid Section



Railing 90 deg Corner Section



Railing End Dee Section



# Alvin Key Clamps Railing Kits

**Railing Wall Termination**



(Tube Not Included Sold in Pairs)

**Pair of Horizontal Railing Tubes**



Length 1450mm  
Sold in Pairs